

Bolt Connectors

Steel, for Aluminum Profiles (b-Modular System)

SPECIFICATION

Type

- Type **N**: Nut without increased torque

Coding

- **C**: With fastening set

Connector, screws, T-slot nuts

Steel, zinc plated, blue passivated **SZ**

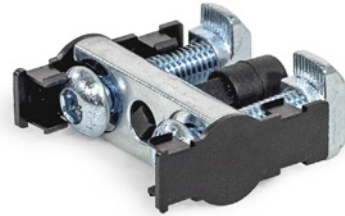
Cover cap

Plastic (Polyamid PA)

Black **S**

Guide pin

Plastic, black



INFORMATION

Bolt connectors GN 26b fasten aluminum profiles at right angles and secure them against twisting. Only one profile has to be machined.

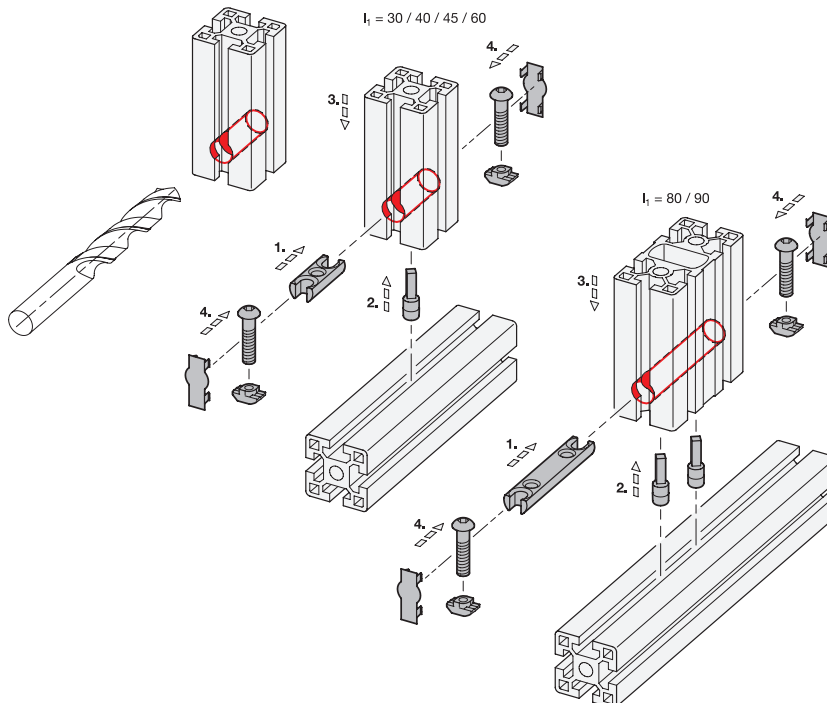
The connection can be freely positioned and slid along the slot. It is suitable for absorbing high loads, including torsional loads in particular.

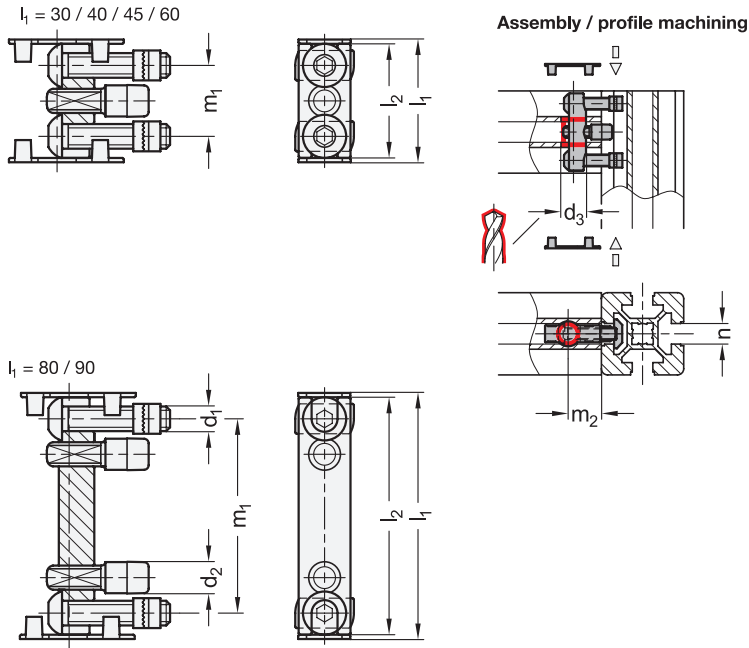
The cover caps ensure a visually appealing appearance. If panels are used, they must be suitably pocketed.

TECHNICAL INFORMATION

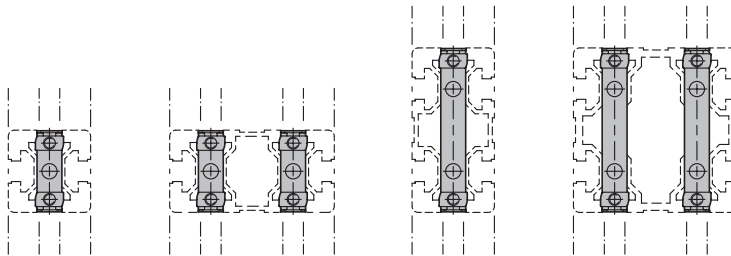
- Plastic Characteristics (see page A2)

Assembly Instructions / Profile Machining






Use



GN 26b

Description	l ₁ Nominal size	n	d ₁	d ₂	d ₃	l ₂ ≈	m ₁	m ₂	Tightening torque in Nm	
GN 26b-308-N-C-SZS	30	8	M 5	7.3	11	29	18	18	6	26
GN 26b-4010-N-C-SZS	40	10	M 8	10	17	37	23	22.5	25	74
GN 26b-4510-N-C-SZS	45	10	M 8	10	17	42	28	22.5	25	78
GN 26b-6010-N-C-SZS	60	10	M 8	10	17	57	43	22.5	25	83
GN 26b-8010-N-C-SZS	80	10	M 8	10	17	77	63	22.5	25	121
GN 26b-9010-N-C-SZS	90	10	M 8	10	17	87	73	22.5	25	134

